

# SELECTORIZED STRENGTH TRAINING EQUIPMENT

## SU60 Pullover

Pulley 4.5'  
0017-00009-0977

Placard  
SU60-PL000-0001

Label (2)  
OK50-01001-0000

Guide Rods  
0017-00009-0933  
Note: Get length from  
Customer

Black Cap(18)  
0017-00042-0969

Cable  
AK50-CL085-0001

Add-On Weight 7.5 lbs  
OK50-PO343-0000

Pillow Block (2)  
0017-00006-0239

Weight Stack Shield  
SK50-S0047-0000

End Cap (2)  
0017-00042-0958

Black Pad Set  
SU60-FEA02-OP01

 Selector Pin  
SK50-S0151-0000

Foot Pad -4-3x4  
0017-00042-1019

Weight Stack (300 lbs)  
AK50-WS004-0000  
Weight Stickers  
MO51-00262-A000 (15-300 lbs)  
MO51-00265-A000 (7-140 KG)

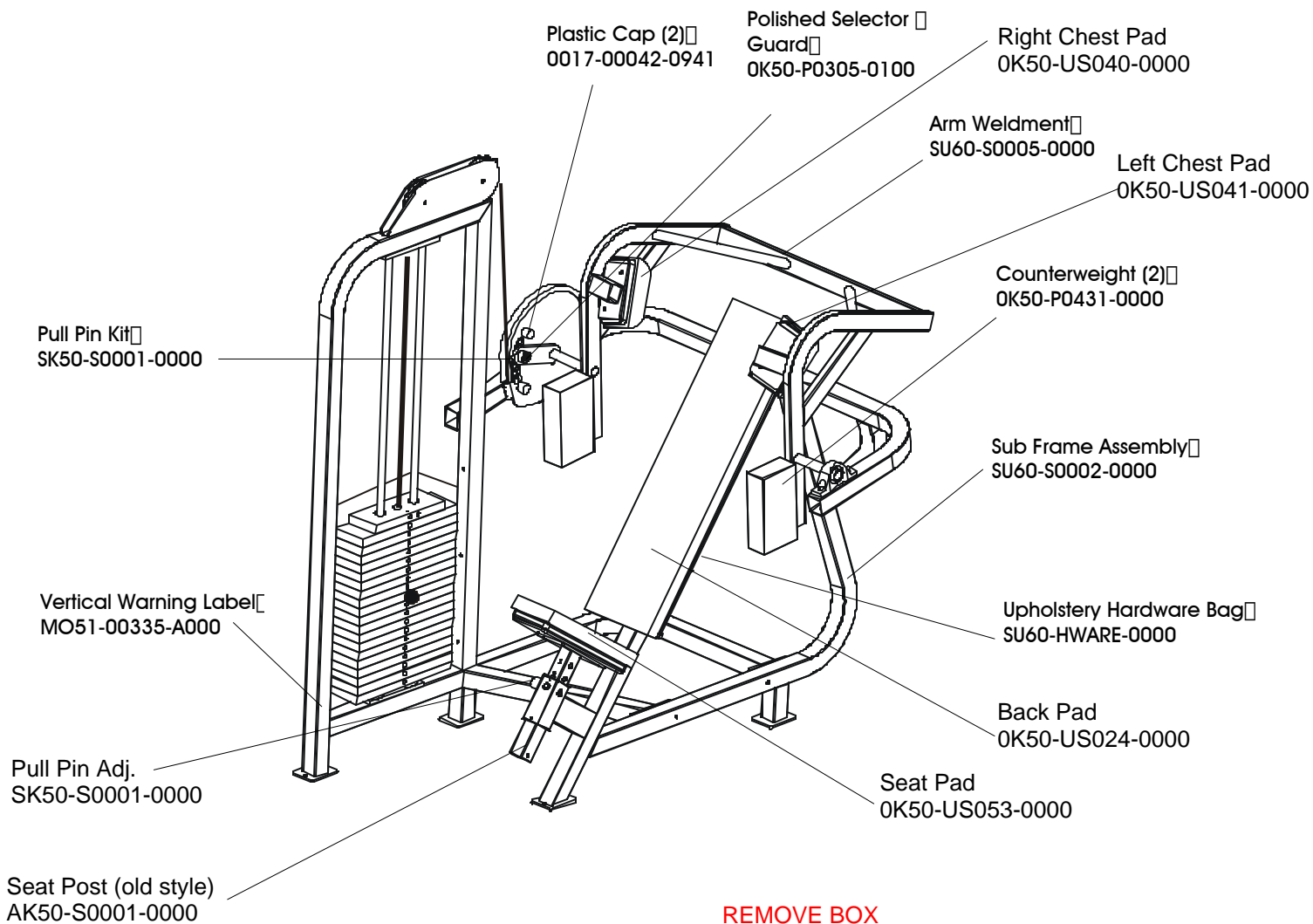
Weight Donut (2)  
0017-00042-0993

(Seat Post Assembly  
S/N 65232-Above  
See Next Page)

Plastic Insert  
0017-00042-0998

# SELECTORIZED STRENGTH TRAINING EQUIPMENT

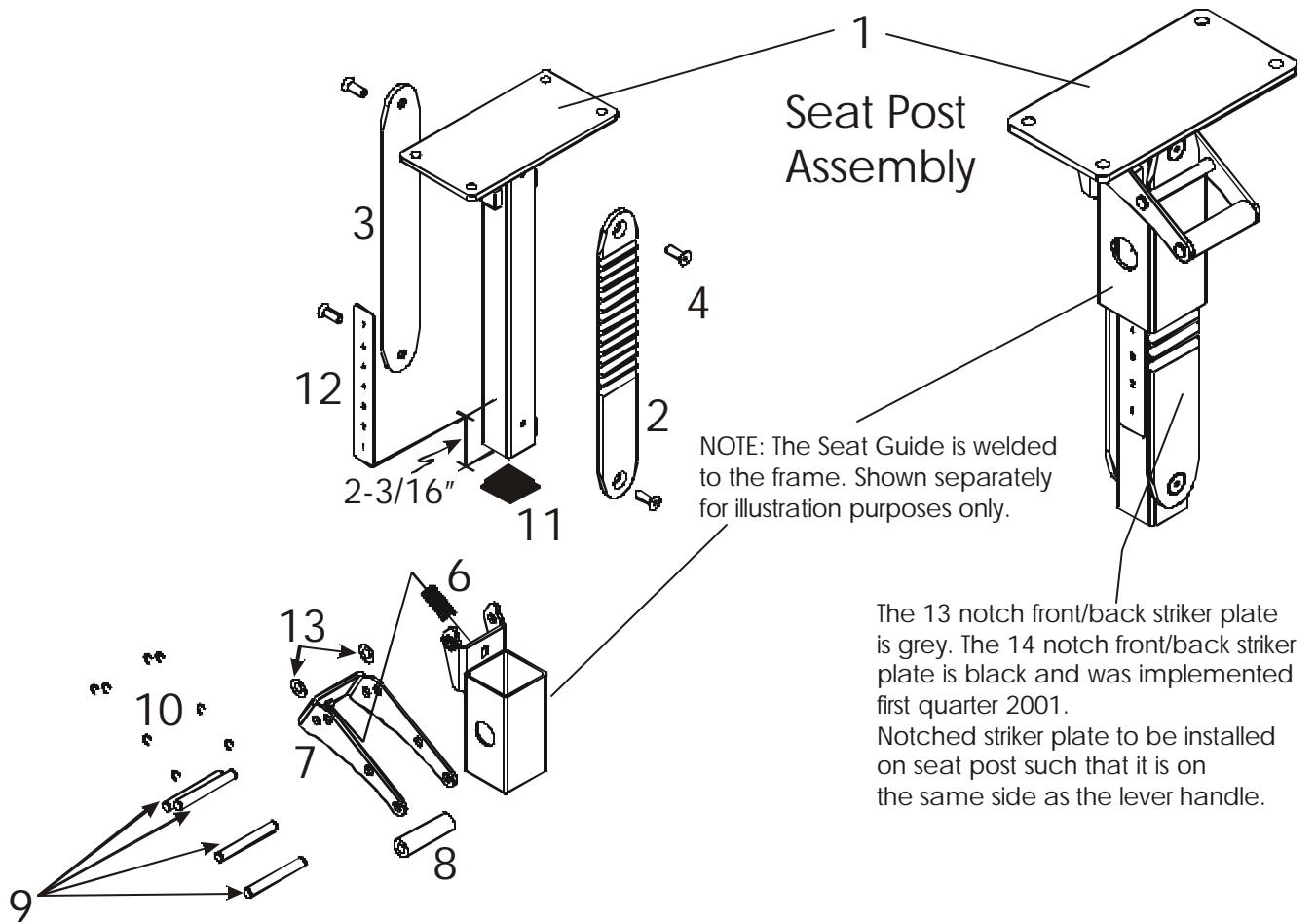
## SU60 Pullover **New page**



For units with a serial number above 65232 See next page for new style seat components.

# SELECTORIZED STRENGTH TRAINING EQUIPMENT

## SU60 Seat Post Assembly - S/N 65232-Above



BILL OF MATERIALS			
Item No.	Qty.	Part Number	Description
1	1	AK50-S0028-0000	Seat post assembly
2	1	0K50-P0547-0000	Front striker plate (~4 notch)
3	1	0K50-P0548-0000	Back striker plate
4	4	0017-00101-1655	5/16" x 24 flat bolt
6	1	0017-00009-1079	Spring
7	1	0K50-P0550-0000	Lever release
8	1	0017-00042-1089	Rubber grip
9	4	0K50-P0551-0000	Grooved pin
10	8	0017-00100-0190	Retaining clips
11	1	0017-00042-0944	1-1/2" x 1-1/2" End cap
12	1	M051-00303-A000	Number strip
13	2	0017-00104-0373	Nylon washer